



B-K LIGHTING

FEBRUARY 2011

starlines



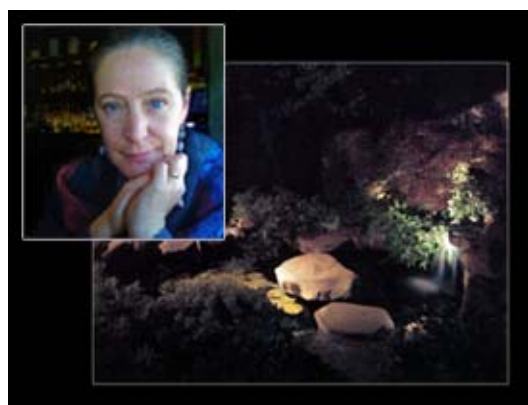
Anna Kim of Enterprise Lighting Sales won \$50 for reading last month's Starlines. Are you this month's lucky reader?

LANDSCAPE DESIGNER & AUTHOR JANET LENNOX MOYER SPENDS THE DAY AT B-K LIGHTING!

It's not everyday that we get to spend an entire day with a world renown lighting designer and author, but last Friday Janet Lennox Moyer visited the B-K Lighting manufacturing facility in Madera, California to research her upcoming book.

Her focus to better understand how materials and finishes have evolved since her first book was released in 1989 ... and to get a first-hand look at the manufacturing process of LED fixtures for landscape lighting.

It was also our chance to pick Jan's brain about changes in landscape lighting and design.



[LEARN MORE](#)

TECH SPOT: IT'S A KNOCKOUT!

The dictionary defines the word "knockout" as: *the act of knocking out or something that is attractive or exciting colloquially called a "knockout"*. We think our exclusive "UPM™ Patented Knockouts" qualifies as both! This is one superior junction box that knocks the competition out of the arena.

[SEE HOW THIS PATENTED TECHNOLOGY WORKS](#)





B-K LIGHTING HOSTS FIRST SPANISH LANGUAGE WEB EVENT

In an effort to promote the ideals of quality, service, innovation and value of solid-state lighting to design professionals worldwide, B-K Lighting held its first Spanish language Webinar for lighting designers in Mexico on Wednesday, January 12, 2011. It was moderated by Executive Vice President, with help from our own Nydia Salas.

[READ MORE ABOUT THIS INTERNATIONAL EVENT](#)



GIVE US YOUR BEST SHOT ... AND ENTER TO WIN \$100

At B-K Lighting, we design our quality fixtures to blend in to any environment. But now, we're asking you for proof. Send us an amazing application shot and that picture could be worth \$100. Submit your best application shots featuring B-K Lighting products and you are automatically entered to win.

[LEARN HOW TO SEND IN YOUR 'BEST SHOT'](#)



FEBRUARY'S CUSTOM CORNER

The sustainable design of the new University of Central Florida Performing Arts Center provides students with an innovative approach to environmental stewardship during their academic experience. The \$85 million design of this 'green' project included installation of Everest Series™ fixtures with Custom Canopies from B-K Lighting.

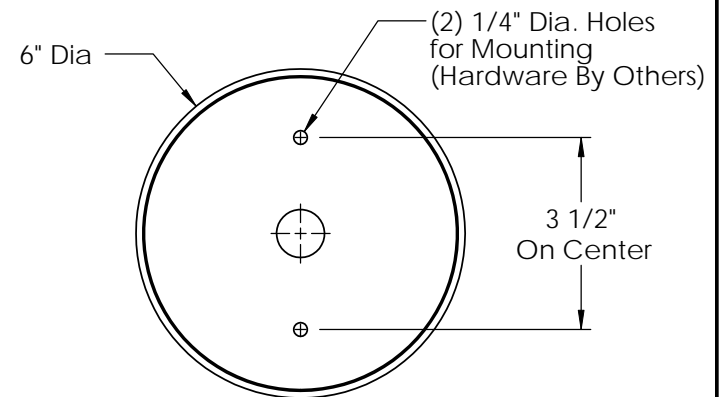
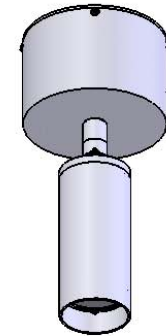
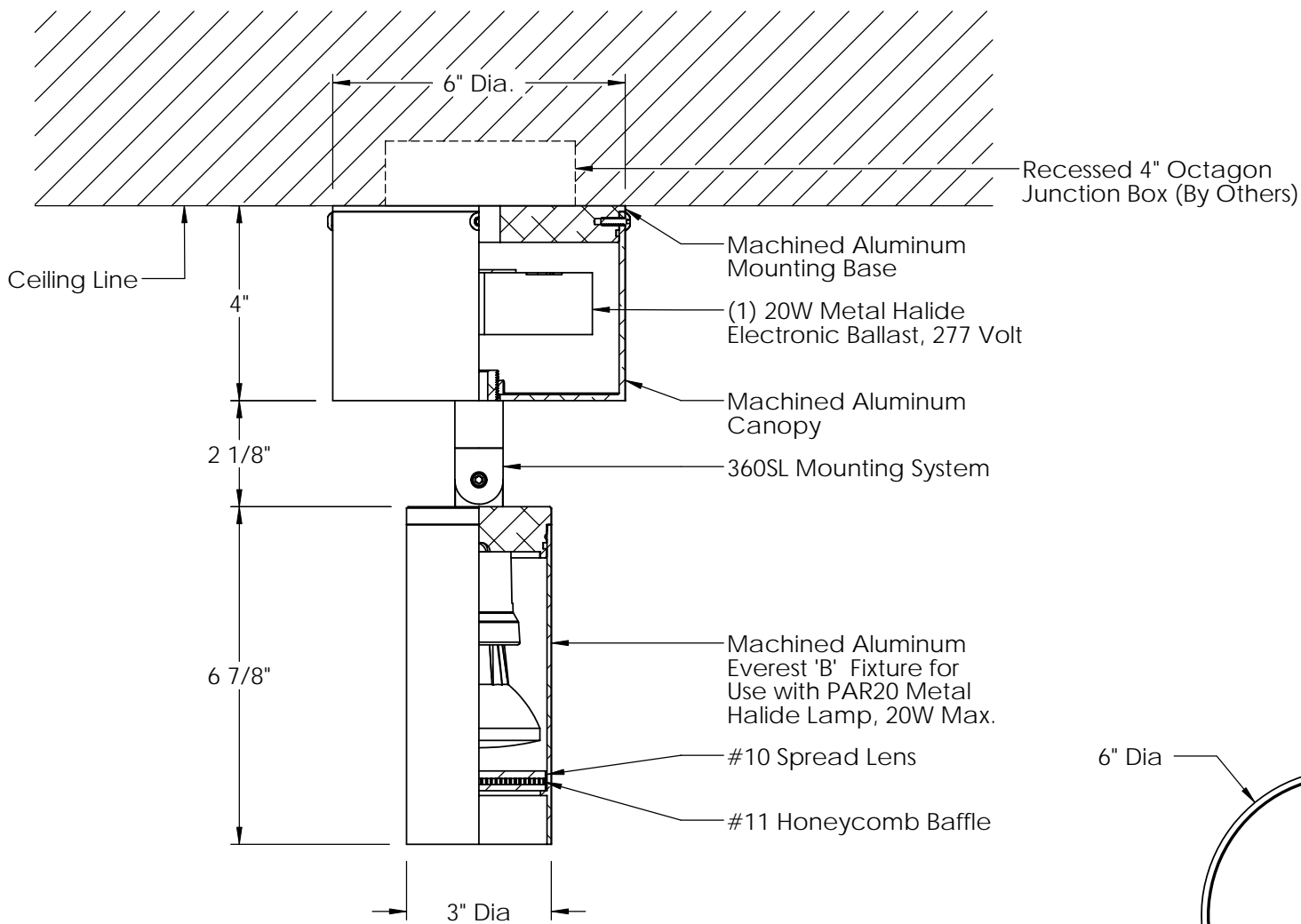
[VIEW THE APPLICATION PHOTOS](#)

[Event Schedule](#)

[Application Photos](#)

[Video on Demand](#)

Copyright B-K Lighting © 2011



Mounting Detail

Rev A 12/30/08

THIS DOCUMENT CONTAINS PROPRIETARY INFORMATION OF B-K LIGHTING AND ITS RECEIPT OR POSSESSION DOES NOT CONVEY ANY RIGHTS TO REPRODUCE, DISCLOSE ITS CONTENTS, OR TO MANUFACTURE, USE OR SELL ANYTHING IT MAY DESCRIBE. REPRODUCTION, DISCLOSURE OR USE WITHOUT SPECIFIC WRITTEN AUTHORIZATION OF B-K LIGHTING IS STRICTLY FORBIDDEN.



EVEREST 'B' FIXTURE ON CUSTOM CANOPY

10/15/08

B-K LIGHTING, INC.

DRAWING NUMBER
CUS-1626-26